



Artone Communication Solutions

Artone 3 MAX

Bluetooth® Loopset

www.artonecs.com

Instructions manual

Introduction

Artone 3 MAX is a portable wireless listening assistive device with built-in Bluetooth wireless technology.

It allows hearing aid users to listen to amplified and noise free cell phone conversation and enjoy stereo music streamed from Bluetooth-enabled cellular phones, personal computers or tablets.

Compatibility

Artone 3 MAX is compatible with all hearing aids and cochlear implants equipped with t-coil function as well

as with cellular phones or other Bluetooth enabled devices that support Bluetooth Headset, Hands free, A2DP and AVRCP profiles.

Working Range

Artone 3 MAX works according to class 2 of Bluetooth protocol with working range of 30 feet (10M) in an open space.

Notes:

***1 Music** -The audio source needs to support Bluetooth A2DP (Advanced Audio Distribution Profile).

***2 Remote control** – The audio source needs to support Bluetooth AVRCP (Audio Video Remote Control Profile).

***3 Phone use** - The mobile phone needs to support Bluetooth HSP (Head-set Profile) or (Hands-free Profile)

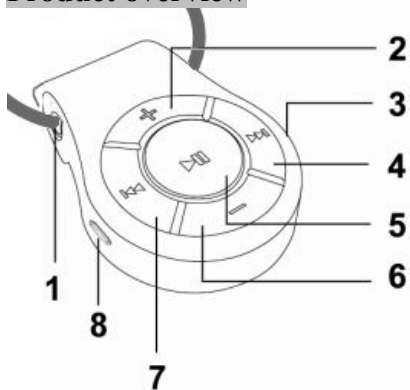
- Some mobile phones do not support Bluetooth connection switch function between music and call.

***5 Computer use** - computer needs to support Bluetooth HSP (Headset Profile).

***6 TV** – for non Bluetooth enabled TVs - Additional plug in device needed, Artone **TVB** or **TVB+**

For all audio sources that do not support Bluetooth® additional plug in device needed (Artone **TVB**)

Product overview



1. Neckloop
2. Volume +
3. Microphone
4. Forward/Next
5. Multi-function button (MFB)/ Play/Pause
6. Volume -
7. Backward/ Last
8. Charging port

How to Charge the Bluetooth Loopset

Artone 3 MAX has Built-in rechargeable battery.

Prior to first use, fully charge the battery for 2-3 hours.

Artone-3 can provide up to 4-5 hours of listening time and over 150 hours of standby time.

Charging Instruction

- 1) Connect the power charging ports (8) with a power source (USB charger). When charging, the red LED will turn on.
- 2) When the headset is fully charged, the red LED indicator will turn OFF and blue LED will turn on. Disconnect the charger from the power source.

Battery Indication

The red LED will remain ON while the Artone 3 MAX is being charged. When the battery is fully charged, red LED will turn OFF and the blue LED will turn on. The red LED will flash continuously when battery power is low.

How to use Artone 3 MAX with your mobile phone

Power on

While the Artone 3 MAX is off, long press and hold the MFB button until the blue LED indicator starts flashing.

Enter pairing mode

When the Artone 3 MAX is off, long press and hold the MFB button until the blue and red LED indicator start flashing alternatively. The Artone 3 MAX will enter Pairing Mode.

Pairing with Mobile Phone

The pairing distance between mobile phone and the Artone 3 MAX should be within 1 meter (3 feet).

Press MFB on the Artone 3 MAX until the red and blue lights start flashing alternately. Once the initial pairing is completed, the connection between the devices will be done automatically after the devices are turned on, and the Bluetooth function of the

phone is activated.

On your mobile phone, in the Bluetooth menu directory activate search function, “find new device”, choose “Artone 3 MAX” from found devices list, following the screen prompts. In case the phone prompts for a passkey please enter 0000. (four zeros)

Receive a Call

To receive incoming call, press the multi-function button of the Artone 3 MAX.

End a Call

After the call is over, press the multi-function button of the Artone 3 MAX.

Reject incoming call

To reject incoming call, long press the function key.

Redial a call

In standby mode, to redial the last outgoing number, press the MFB button twice, the last number will be redialled. An audible “beep” signal will confirm the operation.

Voice Dialing

In standby mode, press the MFB key for 2 seconds to activate the voice dialing function.

Music Function

- **Play/Pause:** In standby mode, press the MFB shortly to activate music play, again to pause.
- **Previous/Next:** Short press the Previous/Next keys shortly.
- **Volume +/-:** Press the Volume +/- key shortly to decrease or increase the volume +/-.

Power off

Press and hold the MFB key until the red light starts shining and keep pressing the MFB key until red LED will turn off.

Dual connection

Artone 3 MAX is capable of having two mobile phones connected to it at the same time.

You can use two phones at the same time or a phone and the TVB Bluetooth adapter /TVB+ Bluetooth microphone.

1. Pair the second mobile phone.

After paired Artone 3 MAX with the first mobile phone, turn off the Artone 3 MAX. Then press the MFB button of Artone 3 MAX for 7 seconds until the Blue and Red LED flash alternatively. It means it enter the pairing mode. Go to the second mobile phone's Bluetooth menu and search the Artone 3 MAX and pair with it.

2. After pairing the second mobile phone, the first

mobile phone will be disconnected from the Artone 3 MAX, so you need to connect the first mobile phone from the phone setting, so that BOTH mobiles are connecting with the Artone 3 MAX.

Last Number redial and the Voice Dialing function only will work on the first connected mobile phone.

Trouble-shooting

If you are unable to connect your Artone 3 MAX with your Bluetooth audio device, please try the following:

- Ensure your Artone 3 MAX is on and charged.
- Ensure the Artone 3 MAX is in pairing mode when trying to pair it with your mobile.
- Ensure the Bluetooth plug in transmitter is paired with the Artone 3 MAX.
- Ensure your device is Bluetooth enabled. Please refer to your device's user manual for instruction.
- Ensure the Artone 3 MAX is within a maximum 10 meters (about 30 feet.) of your Bluetooth device and there are no obstructions, such as walls or other electronic devices.

To reset the Artone 3 MAX please plug in the charging cable into the charging port of the device for 3-5 seconds and disconnect it. This will reset the device.

If no sound is heard once the pairing is completed.

- Make sure your hearing aid/cochlear implant is equipped with t-coil.
- Make sure the T-coil function is turned on the hearing aid/cochlear implant.
- In the sound is too low, make sure the volume on the mobile phone and Artone 3 MAX are increased to adequate level. If the sound level is still not sufficient, please contact your audiologist, and ask to increase t-coil sensitivity of your hearing aid/cochlear implant.

Warning

- **Do not bend the loop extensively! Bending the loop can cause damage to the product and void the warrantee.**
- **Do not use near machinery as the loop may get caught up in the moving parts.**
- **Consult your physician before using the Loopset if you use a pacemaker or any other device that may be sensitive to magnetic/inductive fields.**
- *Express extra caution while driving, and obey your state/county laws regarding usage of mobile phone while driving.
- **Keep away from children.**

Warranty

Artone, as defined below, warrants this Artone- branded product against defects in materials and workmanship under normal use for a period one year from the date of retail purchase by the original end-user purchaser ("Warranty Period"). If a product defect arises and a valid claim is received within the Warranty Period, at its consideration, Artone will either exchange the product with a new one or if possible repair the product.

The warranty does not cover abuse, deliberate damage, negligent use, and any damage caused exceeding the lines of "normal" product use. All claims must be presented with the invoice of purchase and this document with a stamp of the manufacturer.

Warranty Limitations

Artone limited warranty provides that, subject to the following limitations, each Product will be free from defects in material and workmanship and will conform to Artone specification for the particular Product.

LIMITATION OF REMEDIES

YOUR EXCLUSIVE REMEDY FOR ANY DEFECTIVE PRODUCT IS LIMITED TO THE REPAIR OR REPLACEMENT OF THE DEFECTIVE PRODUCT.

Artone may elect which remedy or combination of remedies to provide in its sole discretion. Artone shall have a reasonable time after determining that a defective Product exists to repair or replace a defective Product. Artone's replacement Product under its limited warranty will be manufactured from new and/or serviceable used parts. Artone's warranty applies to repaired or replaced Products for the balance of the applicable

period of the original warranty.

LIMITATION OF DAMAGES

ARTONE'S ENTIRE LIABILITY FOR ANY DEFECTIVE PRODUCT SHALL IN NO EVENT EXCEED THE PURCHASE PRICE FOR THE DEFECTIVE PRODUCT. THIS LIMITATION APPLIES EVEN IF ARTONE CANNOT OR DOES NOT REPAIR OR REPLACE ANY DEFECTIVE PRODUCT AND YOUR EXCLUSIVE REMEDY FAILS OF ITS ESSENTIAL PURPOSE.

NO CONSEQUENTIAL OR OTHER DAMAGES NOTWITHSTANDING ANYTHING ELSE IN THIS POLICY OR OTHERWISE, ARTONE WILL NOT BE LIABLE WITH RESPECT TO THE PRODUCTS UNDER ANY CONTRACT, NEGLIGENCE, STRICT LIABILITY OR OTHER LEGAL OR EQUITABLE THEORY (I) FOR ANY AMOUNT IN EXCESS OF THE PURCHASE PRICE FOR THE DEFECTIVE PRODUCT OR (II) FOR ANY GENERAL, CONSEQUENTIAL, PUNITIVE, INCIDENTAL OR SPECIAL DAMAGES. THESE INCLUDE LOSS OF LOST PROFITS , THE INSTALLATION OF REPLACEMENT PRODUCTS, AND ANY INSPECTION, TESTING, ANY DEFECT OR BY THE REPAIR OR REPLACEMENT OF PRODUCTS ARISING FROM A DEFECT IN ANY PRODUCT.

THERE ARE NO WARRANTIES WHICH EXTEND BEYOND THE FACE OF THE ARTONE LIMITED WARRANTY.

ARTONE DISCLAIMS ALL OTHER WARRANTIES, EXPRESS OR IMPLIED, REGARDING THE PRODUCTS, INCLUDING ANY IMPLIED WARRANTIES OF MERCHANTABILITY, FITNESS FOR A PARTICULAR PURPOSE OR NONINFRINGEMENT.

www.artonecs.com



